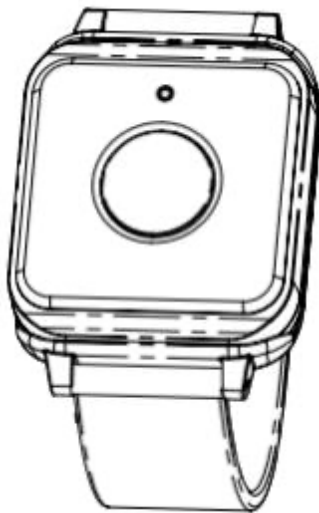


# **Panic Button Sensor User Guide (XPP01)**

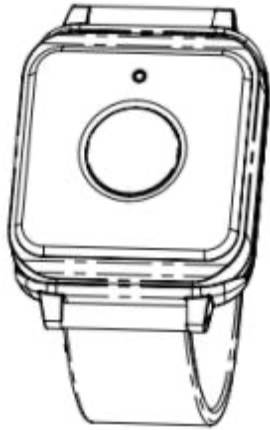




## Panic Button Sensor

Panic Button Sensor (XPP01) is designed for emergency call to monitoring center. It communicates with XP02 Control Panel via 433 MHz frequency.

- **The Panic button Sensor**

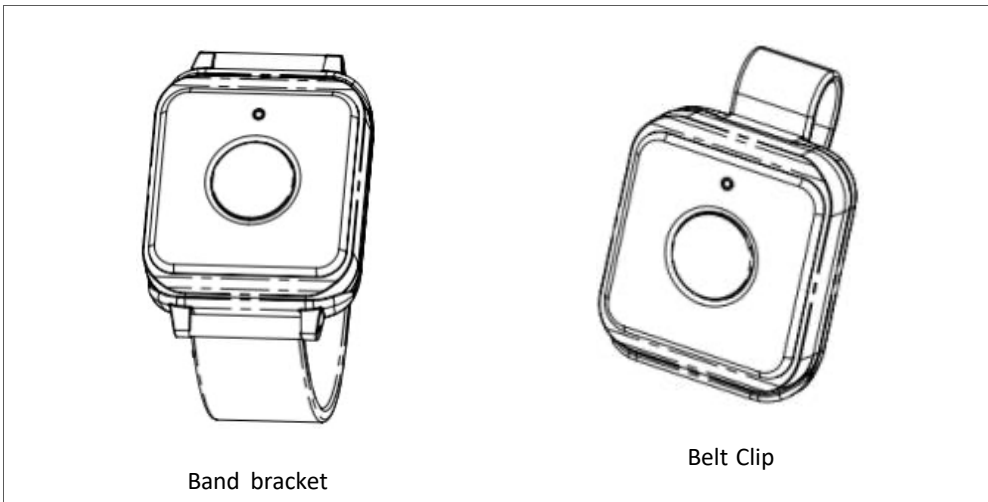


Panic button Sensor

Your Panic button Sensor has two key steps:

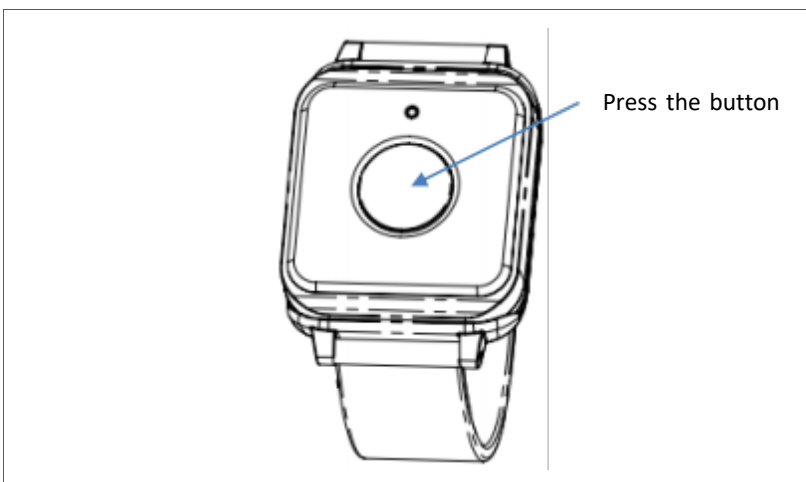
1. Take the Panic button sensor on hand wrist or belt clip.
2. Connect Panic button sensor to the panel.

### Prepare Panic button Sensor



### Add Panic Button Sensor to your panel.

Getting your Panic button Sensor up and running is as simple as pressing the button, and adding it to panel.

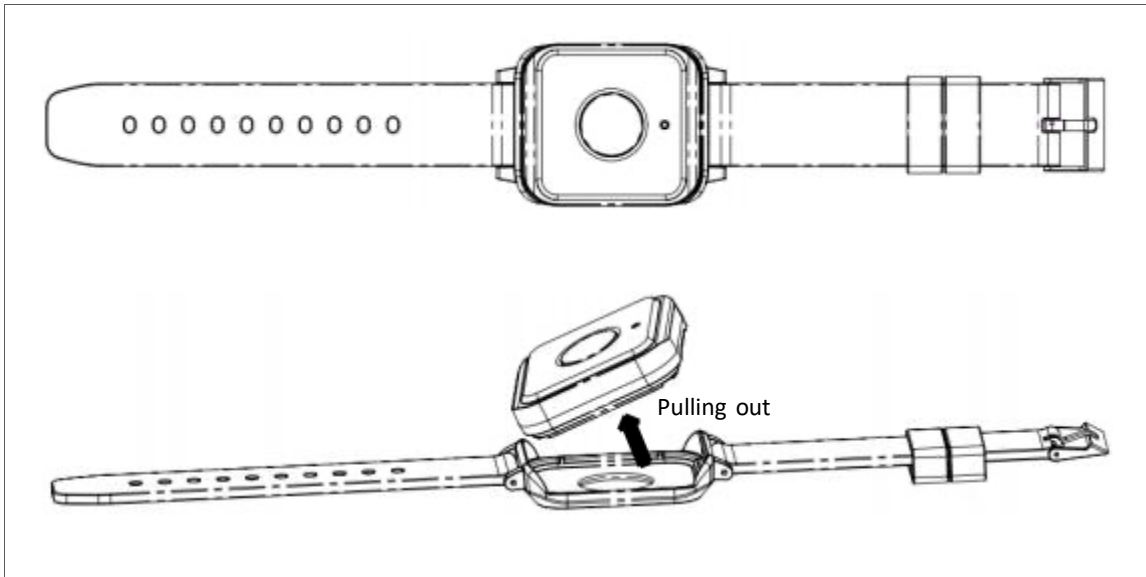




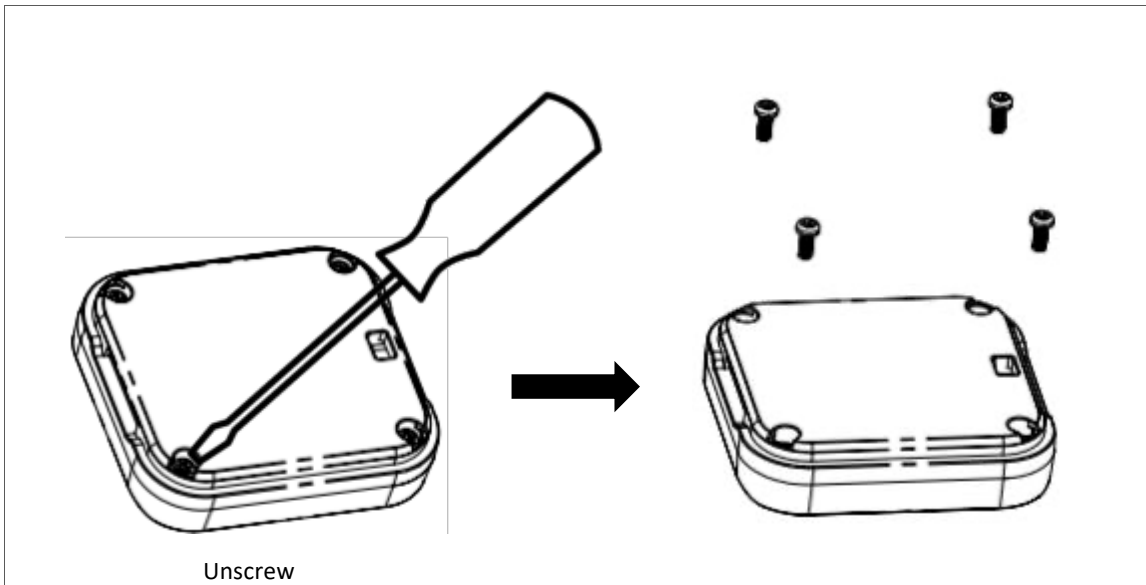
### Change battery

Please follow the below process.

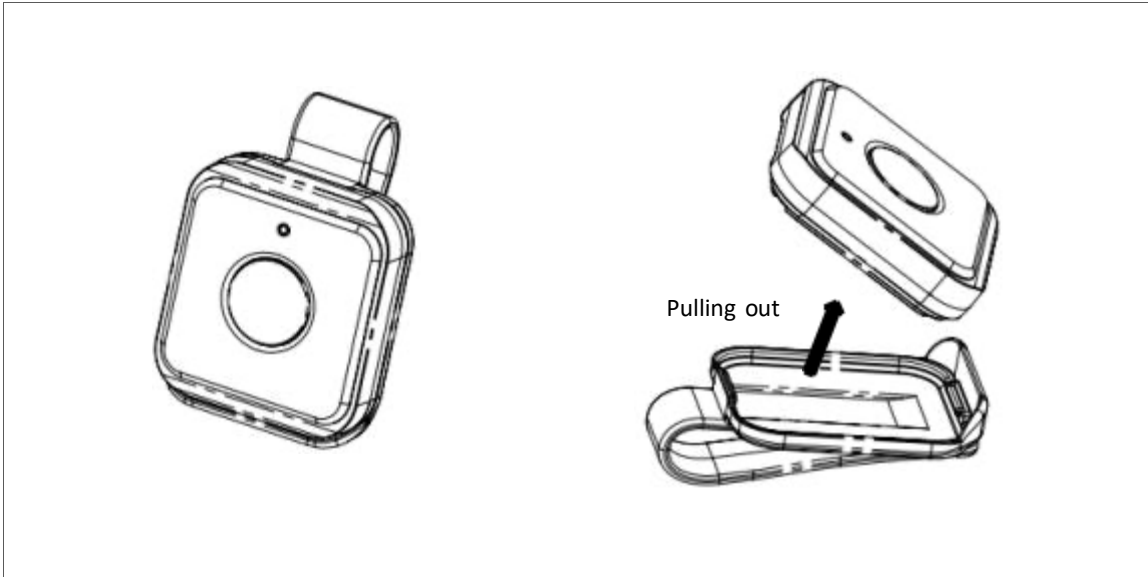
1. Take the device out from the **wrist band** as below picture.



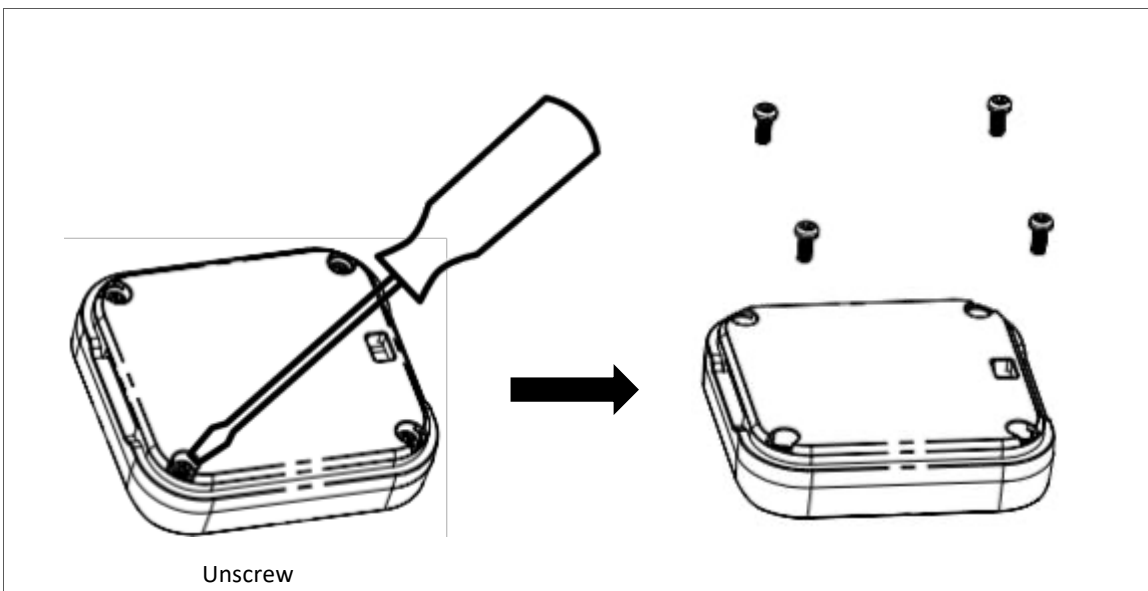
2. Unscrew the bracket as below picture.



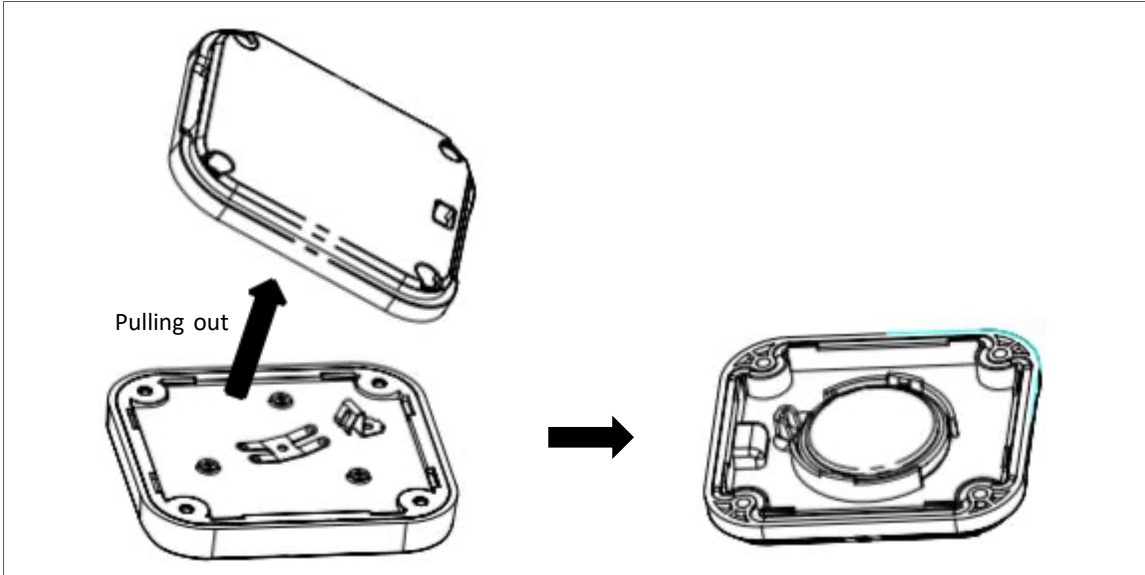
3. Take the device out from the **belt clip** as below picture.



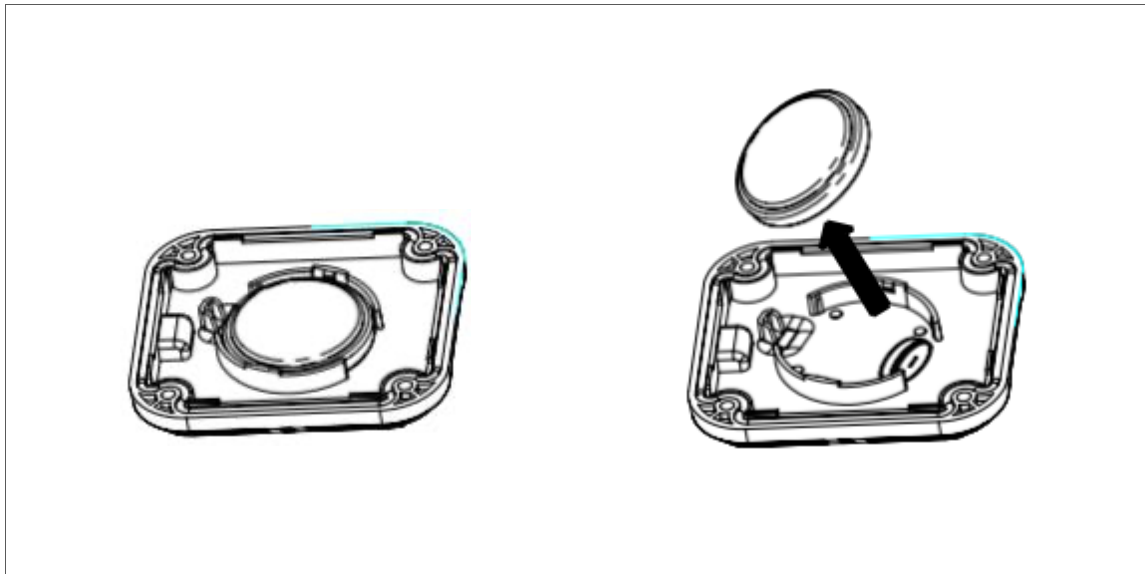
4. Unscrew the bracket as below picture.



5. Take away the rear cover. Pull out the cell battery as below pictures.



6. Take out the old cell battery and insert a new one as below picture.

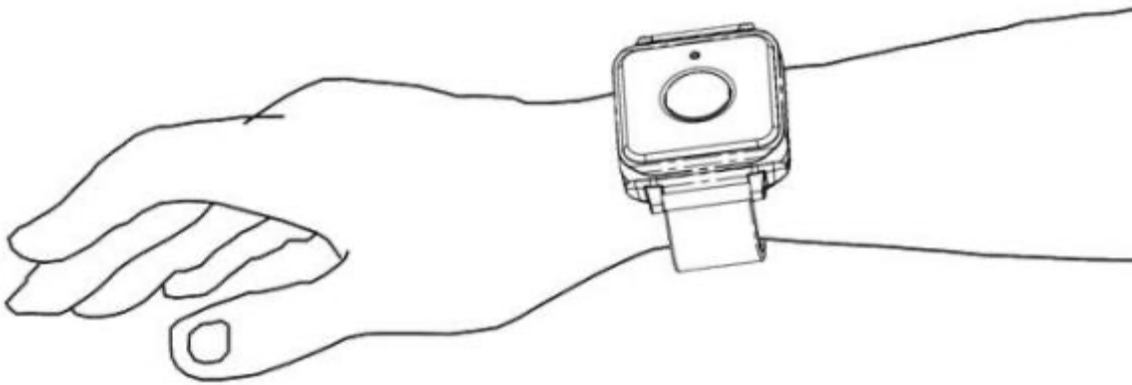




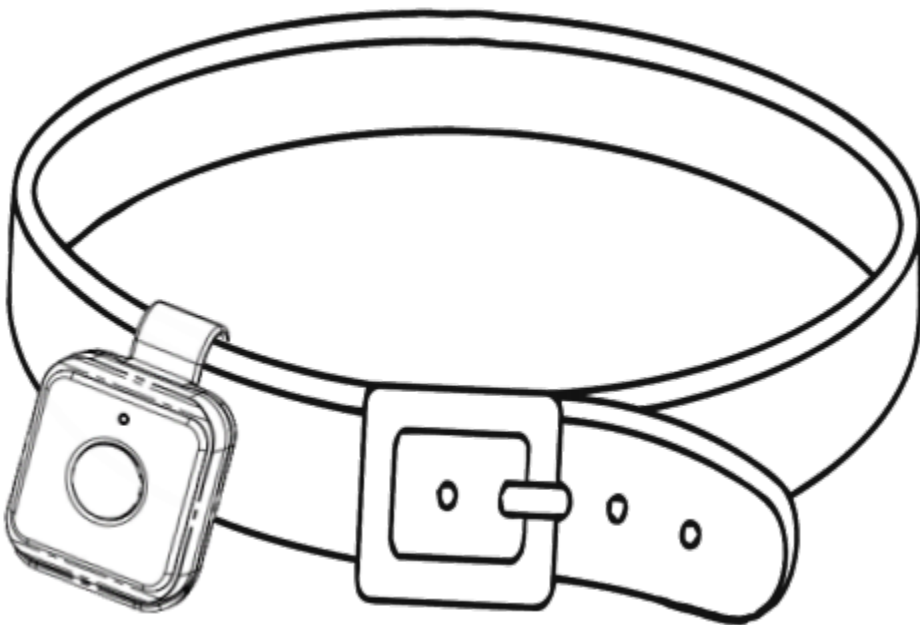
## Use your Panic Button Sensor

Add your Panic Button Sensor to the Security Panel.  
You can wear the Panic Button on your hand wrist or clip it on your belt.

Please refer to below picture.



On hand wrist



On belt