

PIR Motion Sensor IR-32 Series

Introduction

The PIR detects infrared signature to pick up movements within an assigned area and signals the Control Panel to activate the alarm if an intruder crosses its' path of detection.

The PIR is designed to give a typical detection range of 12 meters when mounted at 2.5 meters above ground. The PIR sensor also supports pet immunity feature and will not detect pets of up to 25 kg to minimize false alarm situation.

Remote configuration is supported for the PIR motion sensor. Besides adjusting the Jumper Switches, users can also enable/disable pet immunity function and adjust the sensitivity of the PIR from the Control Panel.

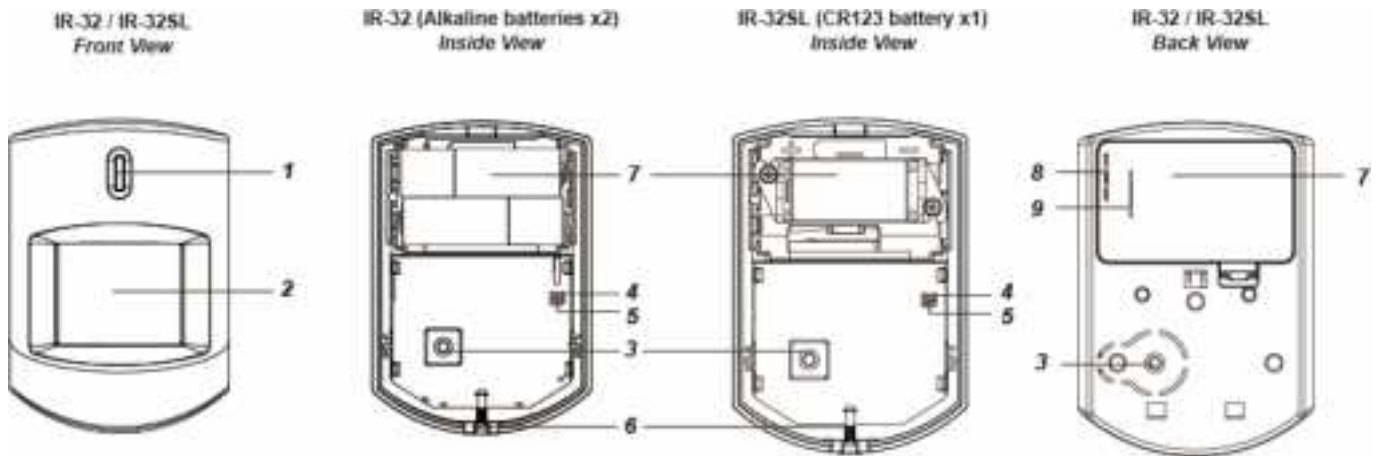
The PIR consists of a two-part design made up of a cover and a base. The cover contains all the electronics and optics and the base provides a means of fixing.

The IR-32 Series PIR Sensor includes the following models:

IR-32 – PIR Motion Detector powered by two Alkaline batteries

IR-32SL – PIR Motion Detector powered by one CR123 battery

Parts Identification



1. Test Button / LED Indicator

- The test button is used for testing the radio performance and for learning purpose.
- The LED indicator is used to indicate the status of system.

2. IR Sensor

3. Tamper Switch

4. Pet Immunity Enable/Disable Jumper Switch (JP3)

Jumper On

The jumper link is inserted connecting the two pins

Jumper Off

If the jumper link is removed or "parked" on one pin.

- When set as ON, Pet Immunity is disabled.
- When set as OFF, Pet Immunity is enabled. (Factory default)

5. Sensitivity Increaser Jumper Switch (JP4)

- When set as ON, the PIR's detection sensitivity is high.
- When set as OFF, the PIR's detection sensitivity is in normal level. (Factory default)

6. Bottom Fixing Screw

7. Battery Compartment

8. IR-32 Battery Insulator Hole

9. IR-32SL Battery Insulator Hole

Features

● LED Indicator

In Normal operation mode, the LED Indicator will light up in the following situations:

- When movement is detected under low battery condition
- When the cover is opened and the tamper switch is triggered.
- When movement is detected if the Tamper condition persists.
- When movement is detected under Test mode
- When the Test Button is pressed under tamper condition or if PIR is under low battery.

The LED will not flash if the PIR tamper and battery are normal and PIR is not under test mode.



● **Battery**

IR-32 Series PIR Motion sensor uses Alkaline or Lithium batteries as power source:

- The IR-32 model uses two Alkaline AA 1.5 V batteries as power source.
- The IR-32SL model uses one CR123 3V Lithium battery as power source.

The PIR features low battery detection function. If low battery voltage is detected, a low battery signal will be sent to the Control Panel along with regular signal transmissions for the Control Panel to display the status accordingly.

For each installation, the batteries are installed in by the factory before shipment with an Insulator inserted.

<NOTE>

- ☞ When changing batteries, after removing the old batteries, press the Tamper Switch twice to fully discharge before inserting new batteries.

● **Tamper Protection**

The PIR is protected by a tamper switch which is compressed when the PIR is properly installed. When the PIR is removed from mounted surface or mounting bracket, or its cover opened, the tamper switch will be activated and the PIR will send a tamper open signal to the system control panel to remind the user of the condition. If movement is detected when the tamper switch is open, the LED will light up.

● **Supervision Function**

When the PIR is in Normal operation mode, it will conduct a Self-test Periodically by transmitting a supervisory signal once every 15 to 18 minutes.

If the Control Panel fails to receive the Supervisory signals transmitted from a certain PIR for a preset time, an “**Out-Of-Order**” fault message will be generated.

● **Test Mode**

The PIR can be put into Test mode by pressing the Test Button. In Test mode, it will disable the sleep timer and will enable the LED indicator to light up every time a movement is detected. Every time the Test Button is pressed, the PIR will transmit a test signal to the Control Panel for radio range test and enter the test mode for 3 mins. Test Mode will time out after 3 minutes.

● **Sleep Timer**

The PIR has a “**sleep time**” of approximately 1 minute to conserve power. After transmitting a detected movement, the PIR will not retransmit for 1 minute; any further movement detected during this sleep period will extend the sleep time by another minute. In this way continuous movement in front of a PIR will not unduly exhaust the battery.

● **Pet Immunity Function**

The PIR sensor supports pet immunity feature and will not detect pets of up to 25 kg to minimize false alarm situation.

The Pet Immunity function can be enabled/disabled by setting the Jumper Switch (JP3) position. When the Jumper Switch (JP3) is set to ON, Pet Immunity is disabled. When the Jumper Switch (JP3) is set to OFF, Pet Immunity is enabled. (Factory default).

● **Sensitivity Increaser Function**

You can use the sensitivity increaser function to increase the PIR's detection sensitivity. To increase detection sensitivity, set the Jumper Switch (JP4) to ON. To maintain normal detection sensitivity, set the the Jumper Switch (JP4) to OFF (Factory default).

● **Remote Setting**

- The PIR motion sensor supports remote setting of pet Immunity and sensitivity.
- When the PIR is powered on, its pet immunity function and sensitivity are determined by the JP3 and JP4 settings. Users can either adjust jumper settings or remotely change the pet immunity and sensitivity settings from the Control Panel. Remote setting will overwrite jumper settings.

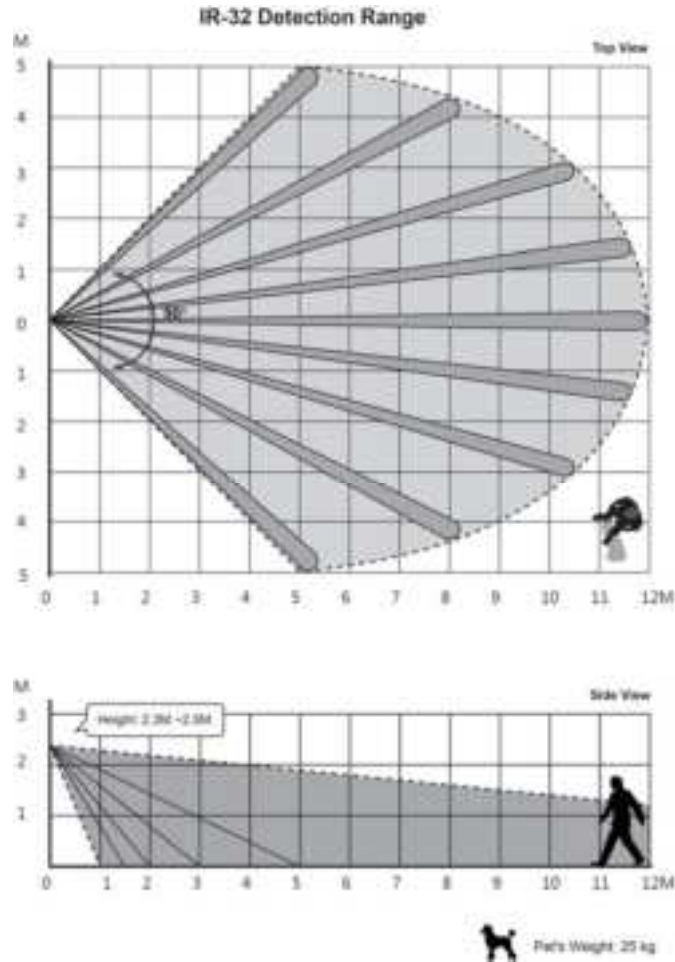
● **Getting Started**

- Pull out the battery insulator to activate batteries.
- The LED indicator will flash for 30 seconds. (The PIR is warming up). During the warm up period, the PIR will not be activated. After the warm up period is over, the LED will turn off and the PIR will be ready for operation.
- Put the Control Panel into learning mode, refer to Control Panel manual for details.
- Press the test button.
- Refer to Control Panel manual to complete the learn-in process.
- After the PIR is learnt-in, put the Control Panel into “**Walk Test**” mode, hold the PIR in the desired location, and press the Test button to confirm this location is within signal range of the Control Panel, refer to Control Panel manual to complete Walk Test.
- When you are satisfied that the PIR works in the chosen location, you can proceed to mounting.

Installation

● **Installation Guideline**

- The PIR is designed to be mounted on either a flat surface or in a corner situation.
- The detection range is up to 12 meters if the PIR is mounted 2.3-2.5 meters above ground.
- When Pet-Immunity function is enabled, the PIR will not detect pets up to 25kg when mounted at 2.3-2.5 meters above ground. If required, you can adjust the height of the PIR according to the size of your pet for optimal pet immune performance. Higher installation location will provide larger pet-immune space, but also increases the blind spot under the PIR.
- When the PIR is mounted with rotating bracket, it will not have the regular detection area (as in the diagram), or the typical pet immune range.
- After the installation site is selected, press the Test Button to enter Test Mode. Walk around the protected area noting when the LED lights up and check that the detection coverage is adequate.
- When detection coverage is found to be satisfying, follow the steps described in **Mounting Method** section below to mount the PIR.



● **Mounting Method**

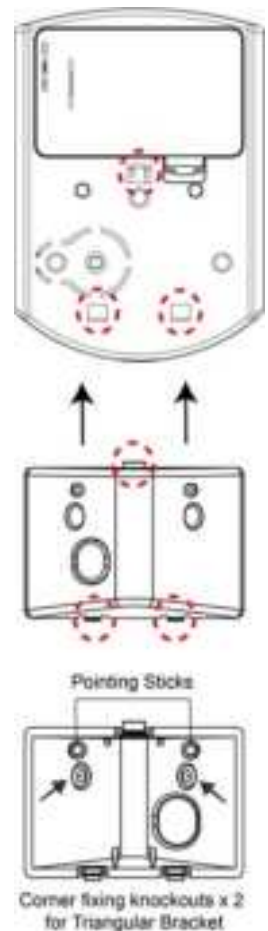
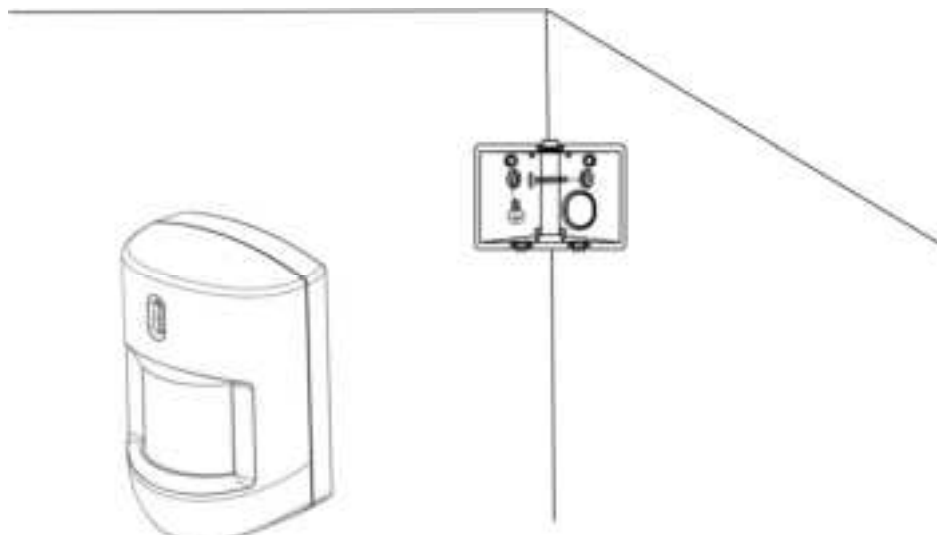
- The PIR is designed to be mounted on either a flat surface or in a corner situation with fixing screws and plugs provided.
- The base has knockouts, where the plastic is thinner and can be broken for mounting purpose. Two knockouts are for surface fixing and four knockouts are for corner fixing as shown in the picture.
- For corner mounting, a triangular bracket is provided to add Back Tamper Protection. The bracket also includes two knockouts to mount on the wall.
- For surface mounting, an optional rotating bracket is provided for users to adjust the range of detection. With the rotating bracket, the IR-32 can be rotated 80 degrees horizontally and 70 degrees vertically to provide optimal coverage.

◆ **Corner Mounting with triangular bracket:**

The triangular bracket can be mounted on the wall with provides screws or double-sided adhesive pads.

Screw Mounting

- 1) Break through the two knockouts on the triangular bracket.
- 2) Using the two holes as a template, drill holes in the surface of the corner. Insert wall plugs.
- 3) Screw the triangular bracket into the wall plugs with the two pointing sticks on top facing you.
- 4) Fit the PIR onto the hooks of the triangular bracket.



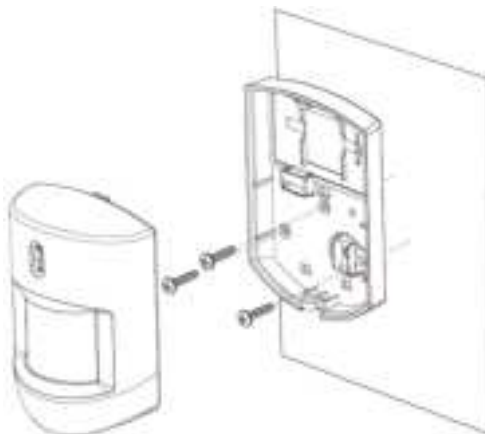
Self-adhesive Mounting

- 1) The mounting corner should be clean, dry, and smooth. Clean the mounting corner with a suitable degreaser if needed.
- 2) Two double-sided adhesive pads are attached on the triangular bracket before shipment.
- 3) Remove the protective covering from the double-sided adhesive pads.
- 4) Attached the triangular bracket onto the desired corner with the two pointing sticks on top facing you.
- 5) Fit the PIR onto the hooks of the triangular bracket.

◆ **Surface Mounting without mounting bracket:**

- The PIR can also be mounted on a flat surface with fixing screws, plugs, but without the mounting bracket.
- The base has knockouts, where the plastic is thinner and can be broken for mounting purpose. Three knockouts are for surface fixing as shown in the picture.
- To mount the PIR without mounting bracket:
 - 1) Remove the bottom fixing screw and cover assembly.
 - 2) Break through the three knockouts on the inside of base
 - 3) Using the holes as a template, drill holes in the surface.
 - 4) Insert the wall plugs if fixing it into plaster or brick.
 - 5) Screw the base into the wall plugs.
 - 6) Screw the cover onto the base.

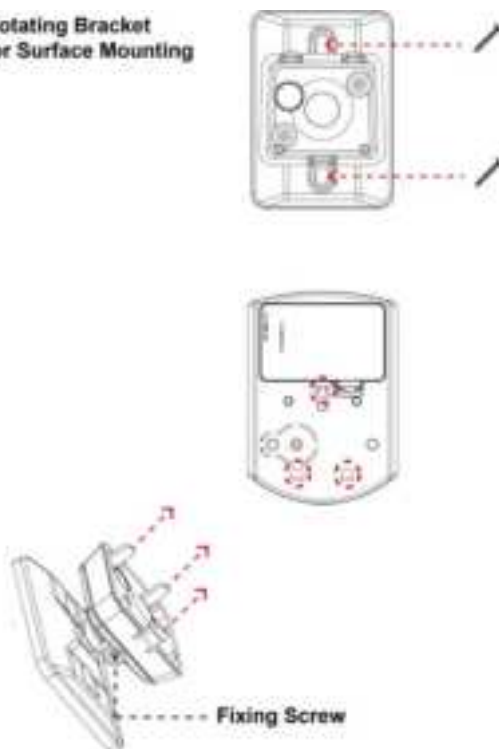
Surface Mounting



◆ **Surface mounting with rotating bracket (optional item, sold separately):**

- For surface mounting, an optional rotating bracket is provided for users to adjust the range of detection. With the rotating bracket, the IR-32 can be rotated 80 degrees horizontally and 70 degrees vertically to provide optimal coverage.
- The rotating bracket can be mounted on the wall with provides screws.
 - 1) Screw the rotating bracket into the wall.
 - 2) Fit the 3 hooks of the rotating bracket into the 3 holes of the base accordingly.
 - 3) Rotate the bracket for the proper range of detection and tighten the fixing screw.

Rotating Bracket
for Surface Mounting



● **Installation Recommendations**

◆ **It is recommended to install the PIR in the following locations**

- Mount the detector at 2.3M-2.5M height for best performance:
- Mount where the animals cannot come to the detection area by climbing on furniture or other objects.
- Don't aim the detector at stairways the animals can climb on.
- In a position such that an intruder would normally move across the PIR's field of view from side to side.
- In a corner to give the widest view.
- Where its field of view will not be obstructed e.g. by curtains, ornaments etc.

◆ **Limitations**

- Do not position a PIR to look directly at a door protected by a Door Contact, this could cause the Door Contact and PIR radio signals to be transmitted at the same instant when entering, canceling each other out.
- Do not install the PIR completely exposed to direct sunlight.
- Avoid installing the PIR in areas where devices may cause rapid change of temperature in the detection area, i.e. air conditioner, heaters, etc.
- Avoid large obstacles in the detection area.
- Not pointing directly at sources of heat e.g. fires or boilers, and not above radiators.
- Avoid moving objects in the detection area i.e. curtain, wall hanging etc.

Federal Communication Commission Interference Statement

This equipment has been tested and found to comply with the limits for a Class B digital device, pursuant to Part 15 of the FCC Rules. These limits are designed to provide reasonable protection against harmful interference in a residential installation.

This equipment generates, uses and can radiate radio frequency energy and, if not installed and used in accordance with the instructions, may cause harmful interference to radio communications. However, there is no guarantee that interference will not occur in a particular installation. If this equipment does cause harmful interference to radio or television reception, which can be determined by turning the equipment off and on, the user is encouraged to try to correct the interference by one of the following measures:

- . Reorient or relocate the receiving antenna.
- . Increase the separation between the equipment and receiver.
- . Connect the equipment into an outlet on a circuit different from that to which the receiver is connected.
- . Consult the dealer or an experienced radio/TV technician for help.

FCC Caution: To assure continued compliance, any changes or modifications not expressly approved by the party responsible for compliance could void the user's authority to operate this equipment. (Example - use only shielded interface cables when connecting to computer or peripheral devices).

FCC Radiation Exposure Statement

This equipment complies with FCC RF radiation exposure limits set forth for an uncontrolled environment. This equipment should be installed and operated with a minimum distance of 20 centimeters between the radiator and your body.

This transmitter must not be co-located or operating in conjunction with any other antenna or transmitter.

The antennas used for this transmitter must be installed to provide a separation distance of at least 20 cm from all persons and must not be co-located or operating in conjunction with any other antenna or transmitter.

This device complies with Part 15 of the FCC Rules. Operation is subject to the following two conditions: (1) This device may not cause harmful interference, and (2) This device must accept any interference received, including interference that may cause undesired operation.